



**PAINT SPRAYER
RACSP450**



USER GUIDE

CAUTION Read the instructions before using the machine

BUILDER SAS

32, rue Aristide Bergès - ZI 31270 Cugnaux – France

Made in PRC 2021



CONTENT

1. GENERAL POWER TOOL SAFETY WARNINGS.....	3
2. PAINT SPPRAYER SAFETY WARNINGS.....	5
3. INTENDED USE.....	6
4. SYMBOLS.....	7
5. ASSEMBLY INSTRUCTIONS.....	8
6. USING THE DEVICE.....	11
7. SPRAYING TECHNIQUE	12
8. CLEANING THE DEVICE.....	13
9. DISPOSAL	13
10. DECLARATION OF CONFORMITY.....	14
11. WARRANTY.....	15
12. PRODUCT FAILURE	16
13. WARRANTY EXCLUSIONS	17

1. General power tool safety warnings



WARNING: Read all safety warnings, instructions, illustrations and specifications provided with this power tool. Failure to follow all instructions listed below may result in electric shock, fire and/or serious injury.

Save all warnings and instructions for future reference.

The term "power tool" in the warnings refers to your mains-operated (corded) power tool or battery-operated (cordless) power tool.

1) Work area safety

- a) **Keep work area clean and well lit.** *Cluttered or dark areas invite accidents.*
- b) **Do not operate power tools in explosive atmospheres, such as in the presence of flammable liquids, gases or dust.** *Power tools create sparks which may ignite the dust or fumes.*
- c) **Keep children and bystanders away while operating a power tool.** *Distractions can cause you to lose control.*

2) Electrical safety

- a) **Power tool plugs must match the outlet. Never modify the plug in any way. Do not use any adapter plugs with earthed (grounded) power tools.** *Unmodified plugs and matching outlets will reduce risk of electric shock.*
- b) **Avoid body contact with earthed or grounded surfaces, such as pipes, radiators, ranges and refrigerators.** *There is an increased risk of electric shock if your body is earthed or grounded.*
- c) **Do not expose power tools to rain or wet conditions.** *Water entering a power tool will increase the risk of electric shock.*
- d) **Do not abuse the cord. Never use the cord for carrying, pulling or unplugging the power tool. Keep cord away from heat, oil, sharp edges or moving parts.** *Damaged or entangled cords increase the risk of electric shock.*
- e) **When operating a power tool outdoors, use an extension cord suitable for outdoor use.** *Use of a cord suitable for outdoor use reduces the risk of electric shock.*
- f) **If operating a power tool in a damp location is unavoidable, use a residual current device (RCD) protected supply.** *Use of an RCD reduces the risk of electric shock.*

3) Personal safety

- a) **Stay alert, watch what you are doing and use common sense when operating a power tool. Do not use a power tool while you are tired or under the influence of drugs, alcohol or medication.** *A moment of inattention while operating power tools may result in serious personal injury.*
- b) **Use personal protective equipment. Always wear eye protection.** *Protective equipment such as a dust mask, non-skid safety shoes, hard hat or hearing protection used for appropriate conditions will reduce personal injuries.*
- c) **Prevent unintentional starting. Ensure the switch is in the off-position before connecting to power source and/or battery pack, picking up or carrying the tool.** *Carrying power tools with your finger on the switch or energising power tools that have the switch on invites accidents.*

d) **Remove any adjusting key or wrench before turning the power tool on.** *A wrench or a key left attached to a rotating part of the power tool may result in personal injury.*

e) **Do not overreach. Keep proper footing and balance at all times.** *This enables better control of the power tool in unexpected situations.*

f) **Dress properly. Do not wear loose clothing or jewellery. Keep your hair and clothing away from moving parts.** *Loose clothes, jewellery or long hair can be caught in moving parts.*

g) **If devices are provided for the connection of dust extraction and collection facilities, ensure these are connected and properly used.** *Use of dust collection can reduce dust-related hazards.*

h) **Do not let familiarity gained from frequent use of tools allow you to become complacent and ignore tool safety principles.** *A careless action can cause severe injury within a fraction of a second.*

4) Power tool use and care

a) **Do not force the power tool. Use the correct power tool for your application.** *The correct power tool will do the job better and safer at the rate for which it was designed.*

b) **Do not use the power tool if the switch does not turn it on and off.** *Any power tool that cannot be controlled with the switch is dangerous and must be repaired.*

c) **Disconnect the plug from the power source and/or remove the battery pack, if detachable, from the power tool before making any adjustments, changing accessories, or storing power tools.** *Such preventive safety measures reduce the risk of starting the power tool accidentally.*

d) **Store idle power tools out of the reach of children and do not allow persons unfamiliar with the power tool or these instructions to operate the power tool.**

Power tools are dangerous in the hands of untrained users.

e) **Maintain power tools and accessories. Check for misalignment or binding of moving parts, breakage of parts and any other condition that may affect the power tool's operation. If damaged, have the power tool repaired before use.** *Many accidents are caused by poorly maintained power tools.*

f) **Keep cutting tools sharp and clean.** *Properly maintained cutting tools with sharp cutting edges are less likely to bind and are easier to control.*

g) **Use the power tool, accessories and tool bits etc. in accordance with these instructions, taking into account the working conditions and the work to be performed.** *Use of the power tool for operations different from those intended could result in a hazardous situation.*

h) **Keep handles and grasping surfaces dry, clean and free from oil and grease.** *Slippery handles and grasping surfaces do not allow for safe handling and control of the tool in unexpected situations.*

5) Service

a) **Have your power tool serviced by a qualified repair person using only identical replacement parts.** *This will ensure that the safety of the power tool is maintained.*

b) **Never service damaged battery packs.** *Service of battery packs should only be performed by the manufacturer or authorized service providers.*

2. Paint sprayer safety warnings

NOTE: Learn to know your tool. Please read the operator's manual. Learn the applications and limitations as well as the specific potential hazards.



WARNING: TO AVOID THE RISK OF FIRE OR EXPLOSION:

- DO NOT spray flammable or combustible materials near a flame or sources of ignition such as Cigarettes, motors, and electrical equipment.
- The units are intended to be used with materials to base of water or mineral type with a minimum of flash point of 60 C. DO NOT spray or clean with liquids with a flash point of less than 60 0 C.
- The paint or solvent flowing through the equipment can produce static electricity, which creates a risk of fire or explosion in the presence of fumes from paint or solvents.
- DO NOT use paint or solvent containing halogenated hydrocarbons.
- Spray ONLY at well ventilated areas. Keeps adequate fresh air moving through the area. Keep the pump assembly in a well-ventilated area.
- DO NOT smoke in the spray area.
- DO NOT use the tool close to motors or similar products that produce sparks.
- Keep the spray area clean and free of containers of paint or solvents, rags, and other flammable materials.
- Be aware of the contents of the paints and solvents which are sprayed. Read all the data sheets and container labels provided with the paints and solvents. Follow the paint manufacturer's safety instructions and solvents.
- The firefighting equipment shall be available at site and working.

WARNING TO AVOID THE RISK OF SKIN INJECTION:

- DO NOT point the nozzle or spray to any person or animal.
- Keep hands and other parts of the body away from the discharge. For example, do not attempt to stop the leak with any part of the body.
- ALWAYS use spray gun with tip. NEVER use a spray gun without tip.
- USE ONLY a tip of spray gun specified by the manufacturer.
- Use caution when cleaning and changing spray tips. In the event of spray tip is obstructed while spraying, follow the manufacturer's instructions to turn off the unit before removing the spray tip for cleaning.
- Do not leave the unit energized while it is unattended. When the unit is not in use, shut it down in accordance with the manufacturer's instruction.
- High pressure spray is able to inject toxins into the body and cause serious injury. In the event of the injection, seek medical attention immediately.
- Check for signs of damage. Replace any damaged parts.
- This system is capable of producing pressure of 30PSI. ONLY use spare parts or accessories specified by the manufacturer and with a minimum working pressure of 30PSI.
- Know how to stop the unit quickly. Familiarize yourself with the controls.
- Check that all connections are secure before operating this unit.

If the replacement of the supply cord is necessary, this has to be done by the manufacturer or his agent in order to avoid a safety hazard.

Do not to spray any material where the hazard is not known.

Use appropriate personal protective equipment, such as dust mask.

Do not to clean guns with flammable solvents.

3. INTENDED USE

1) The unit is for household use only. Intended for

- Painting inside and outside;
- Staining covers;
- Painting outdoor furniture, fences and walls

The device may only be used for its intended purpose be used. Any further about it use beyond that is not as intended. For evoked from it any kind of damage or injury is liable User / operator and not the manufacturer

2) KINDS OF MATERIALS

Only use materials recommended for spray guns. Preparing the costing material

You can use the spray gun to spray undiluted or slightly diluted paint, lacquer and varnish.

If the paint needs to be diluted, start by diluting it by 10%. Fill a container with one litre of the paint you wish to use. Keep in mind that the viscosity measuring cup holds up to one decilitre. Cover the opening and fill the cup with the required amount of thinner. Add the thinner to the paint and stir well. Measure the viscosity following the recommendations given below. If the paint needs to be diluted further, dilute it by another 5% (half the measuring cup) and measure the viscosity. If the paint still has not reached the recommended viscosity, repeat the previous step until the correct viscosity is reached.

This spray gun can be used with products with a viscosity index of 8 to 10 seconds. Submerge the viscosity measuring cup in the material to fill it. Time how long it takes for all the material to flow out of the cup (Fig 2).

Use the following recommendations as a guide, but also consult the manufacturer's instructions on the material you wish to use to find out if the material needs to be diluted.

Recommendations:

Water-based paint and emulsions - 8-10 seconds

Enamel paint and water- and solvent-based coloured lacquer — 8-10 seconds








Primers— 8-10 seconds

Wood coating, colouring agent, oil, disinfectants, phytosanitary products - use undiluted

Follow these instructions only if there are no specific instructions for the material you wish to use. If the material you wish to use has its own instructions, follow them.

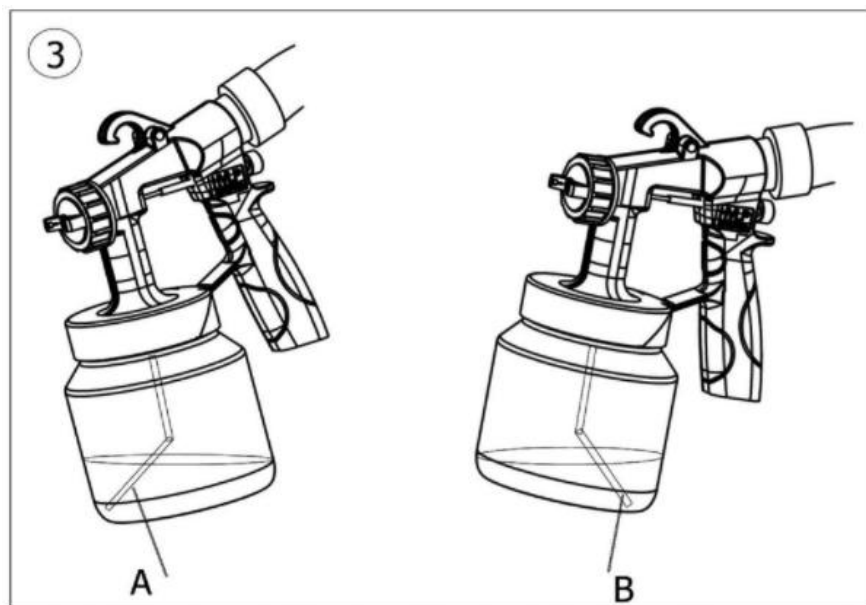
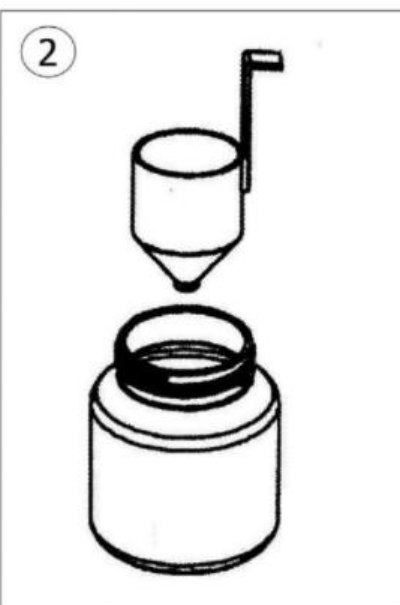
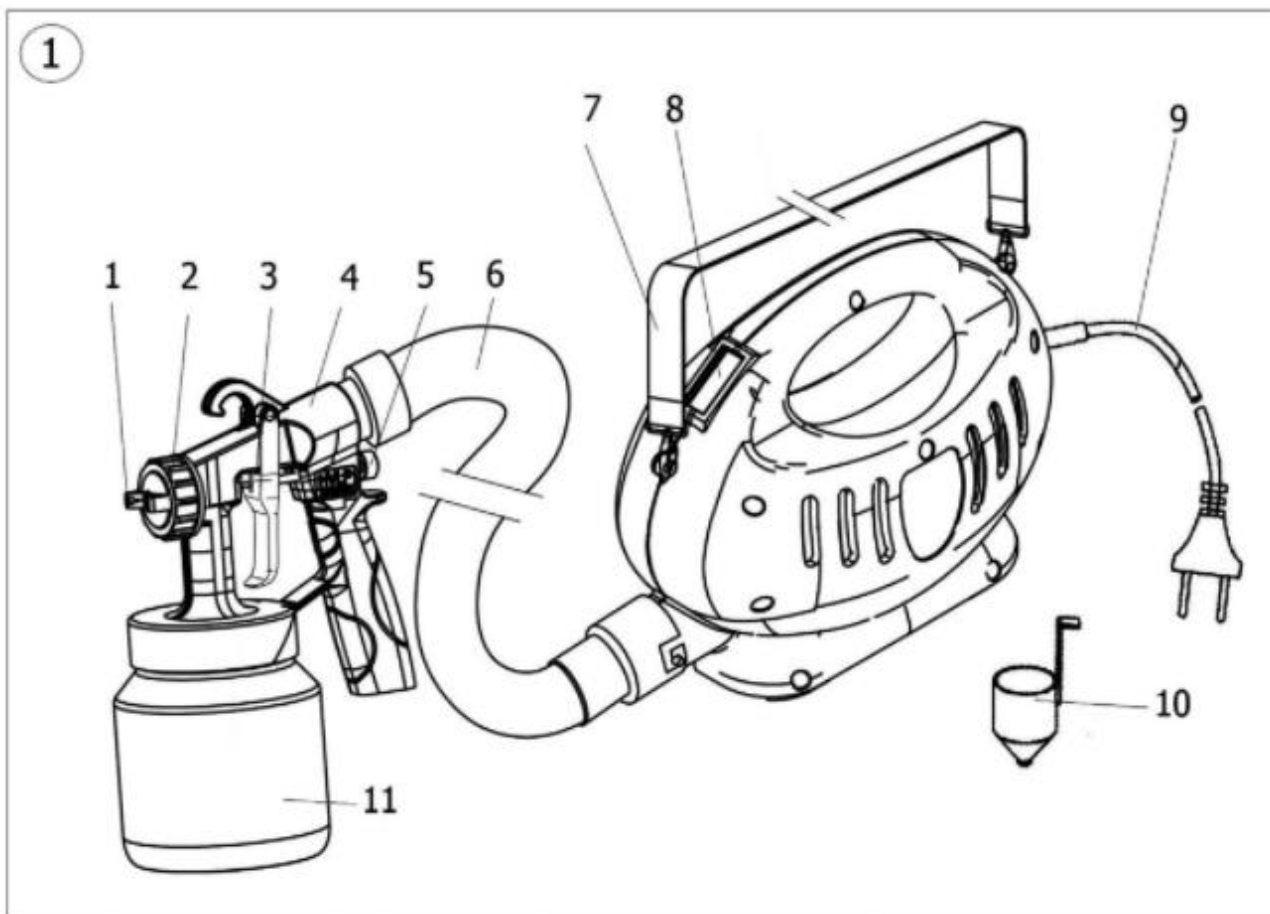
4. SYMBOLS

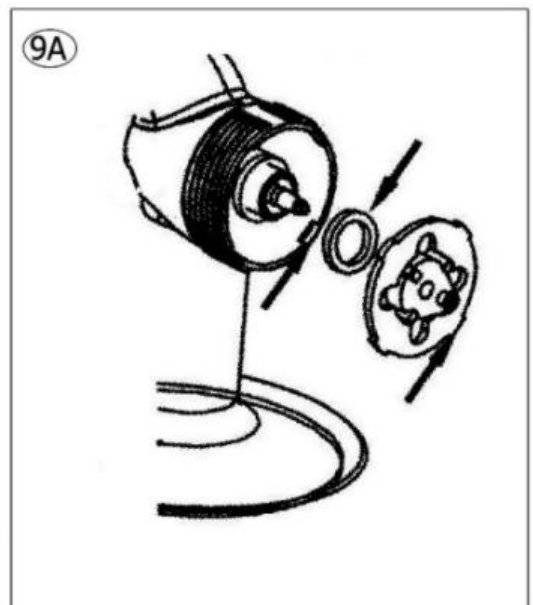
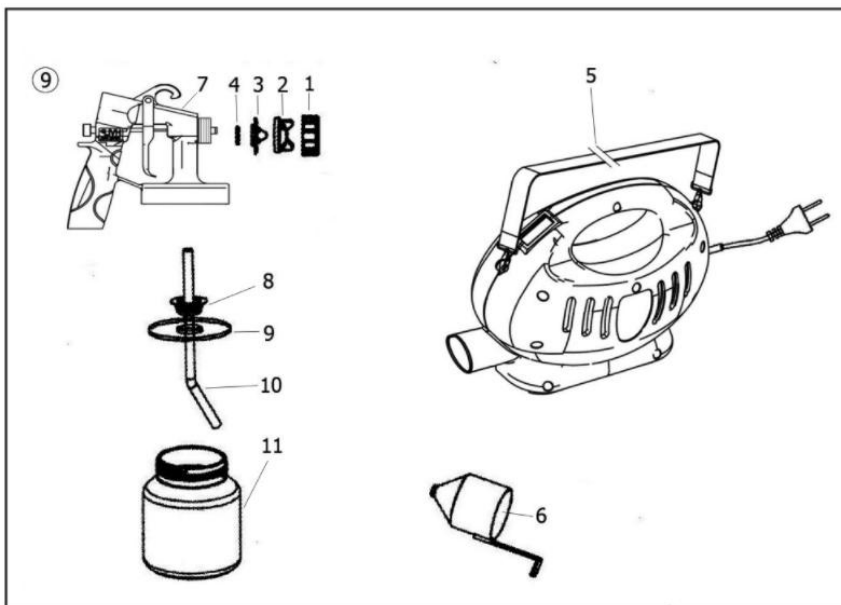
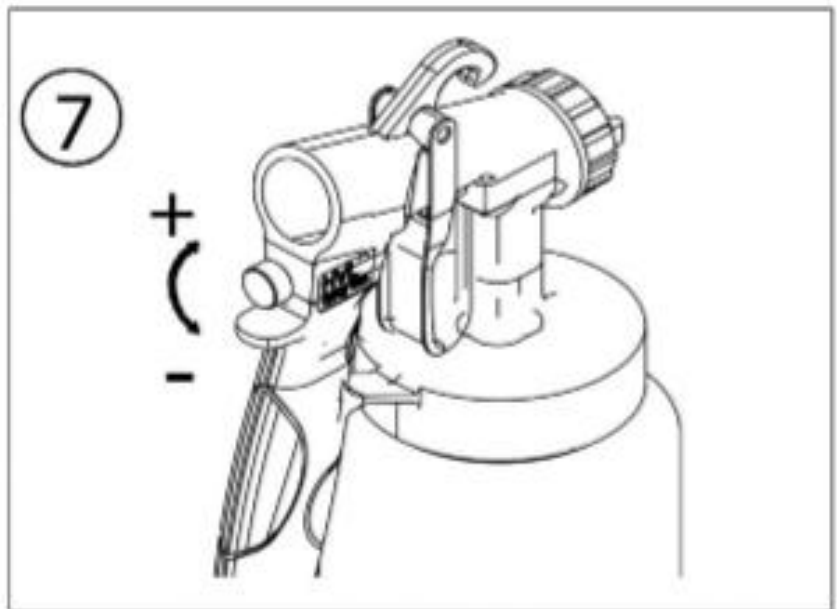
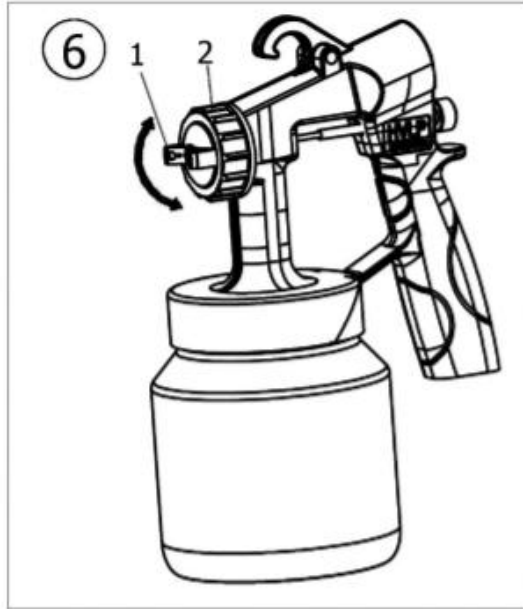
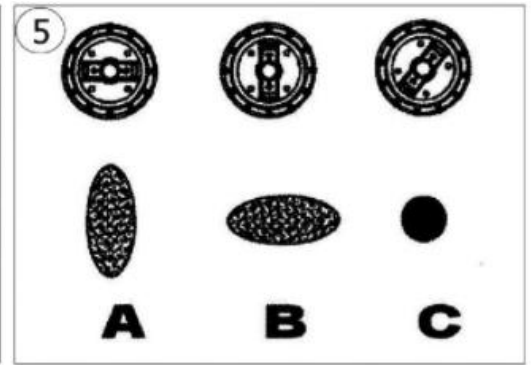
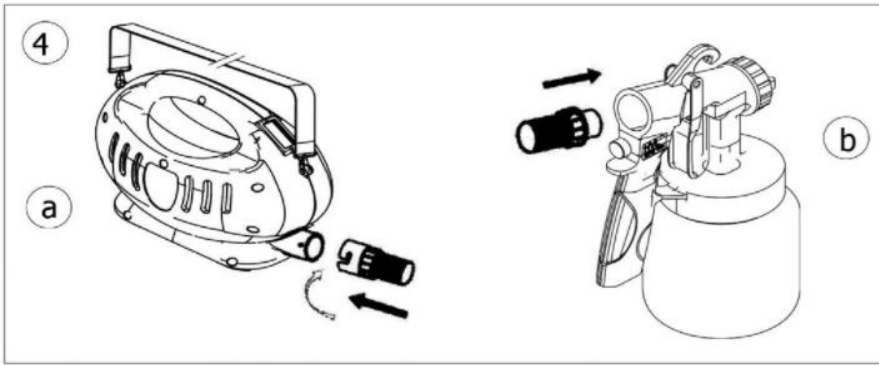
The labels on your tools and manual may show symbols. These represent important information about the product or instruction on its use.

	Read the instruction before use
	Wear eye protection
	Wear eyes protection
	Conforms to relevant safety standards
	Double insulation
	Do not dispose of old appliances with domestic rubbish
	WARNING! The jet should not be directed to persons, animals, live devices or the device itself.

5. ASSEMBLY INSTRUCTIONS

a) Machine components





- 1) Nozzle
- 2) Air Cap Ring
- 3) Trigger
- 4) Gun Body
- 5) Fluid Adjusting Screw
- 6) Hose
- 7) Carrying Belt
- 8) ON/OFF switch
- 9) Plug
- 10) Viscosity cup
- 11) Paint Container

b) Technical data

- 1) Voltage:230V~ 50Hz
- 2) Power:450W
- 3) Rotation speed :28000/min
- 4) Technology :HVLP (High Volume Low Pressure)
- 5) Flow :100-201 ml/min
- 6) Pressure :0.15 -0.35 bar
- 7) Nozzle diameter : 1.5mm (1 & 1.8 mm nozzle + needle)
- 8) Sound pressure level:97dB(A), K=3dB(A)
- 9) Sound power level:108dB(A), K=3dB(A)
- 10) Vibration:2.31m/s² , K=1.5m/s²

Information:

- The declared vibration total value has been measured in accordance with a standard test method and may be used for comparing one tool with another;
- The declared vibration total value may also be used in a preliminary assessment of exposure.

Warning:

- The vibration emission during actual use of the power tool can differ from the declared total value depending on the ways in which the tool is used;
- need to identify safety measures to protect the operator that are based on an estimation of exposure in the actual conditions of use (taking account of all parts of the operating cycle such as the times when the tool is switched off and when it is running idle in addition to the trigger time).

c) Assembly of the tool

- Place the nozzle joint with the slot in front of the nozzle (Figure 9A).
- Insert the nozzle in the body of the spray gun and turn to the correct position. Place the air cap in the nozzle and fasten with the union nut.
- Insert the container joint below the suction tube and slide them together. To do this, gently turn the container joint and insert the suction tube with the container joint in the body of the spray gun.

THE SET INCLUDES

- Main unit
- Tube
- Carrying strap
- Viscosity measuring cup
- Spray gun
- Paint container

6. USING THE DEVICE

Before plugging the device into the mains, make sure that the voltage of the power outlet corresponds to the voltage on the label with the technical characteristics of the tool

- 1) Attach the carrying strap.
- 2) Unscrew the container from the spray gun.
- 3) Align the suction tube (Figure 3). If the suction tube is positioned correctly, the contents of the container can be sprayed with hardly any residue. When spraying horizontal surfaces, turn the suction tube forward (Figure 3A). When spraying objects overhead, turn the suction tube backward (Figure 3B).
- 4) Set the container on a sheet of paper and fill with the prepared coating material.
- 5) Mount the flexible air hose. Insert the air hose into the connection of the main unit and spray gun handle (Figure 4).
- 6) Place the spray gun in the gun holder on the main unit.
- 7) Place the device on a clean, level surface to keep the gun from sucking in dust and dirt.
- 8) Carry the device using the carrying strap.
- 9) Point the spray gun at the surface to be sprayed.
- 10) To determine the volume of material and the spray pattern, test the spray on a piece of cardboard or any surface similar to the one you wish to spray.
- 11) Press the ON/OFF to begin using the tool

Spray Settings

There are three spray settings:

1. Vertical flat jet for horizontal surfaces (Figure 5A)
2. Horizontal flat jet for vertical surfaces (Figure 5B)
3. Circular jet for corners, edges and hard-to-reach areas (Figure 5C)

Adjusting the Spray Setting

With the union nut slightly unscrewed, turn the air cap to the desired spray setting and tighten the union nut (Figure 6). Never press the trigger of the spray gun when adjusting the air cap.

Adjusting the Amount of Material

To adjust the volume of material, turn the regulator on the trigger of the spray gun:

- For a lower amount, turn to the left
- For a greater amount, turn to the right (Figure 7)

7. SPRAYING TECHNIQUE

- For best results, make sure that the surface is completely clean and level before spraying. Carefully pre-treat the surface if necessary.

Cover at surfaces that you do not want to spray, including screws and screw threads.

- To determine the amount of material and the spray pattern, test the spray on a piece of cardboard or any surface similar to the one you wish to spray. Always start spraying outside the target area. Avoid Interruptions within the target area.

- Make the spray movement with your arm and not your wrist. This ensures that a uniform distance is maintained between the spray gun and the spray surface. Select a distance of 5cm to 15cm, depending on the desired width of the spray jet. Figure 8A shows the correct position, where there is a uniform distance from the spray surface. Figure 8B shows the incorrect position, where there is an irregular distance from the spray surface.

- Point the spray gun at a uniform distance from the spray surface. Spray horizontally or from top to bottom, depending on the selected spray setting.

- Move the spray gun evenly to get an even coating.

- If the coating material accumulates in the nozzle and air cap, clean both parts with water or solvent.

PAUSING THE DEVICE

Do the following if you need to stop using the device for a period of no more than 4 hours:

- Turn off the device.

- Place the spray gun in the gun holder.

- When using 2-component varnishes, clean the device immediately.

8. CLEANING THE DEVICE

Clean the device carefully to keep it working properly.

- Unplug the device from the mains. Before long pauses and after finishing the paint job, flush the air in the container.

Do these by keeping the container open for short period of time and closing it again or by pulling the trigger of the spray gun and pouring all the remaining material back into its original container.

- Disassemble the spray gun.

- Unscrew the container. Pour all the remaining coating material back into its original 'container.

- Clean the container and suction tube with a brush. Clean the air vent (Figure 9-8).

- Pour solvent or water into the container and screw it back on. Only use solvents with a flash point over 21°C.

- Reassemble the spray gun (Figure 9).

- Plug the device into the mains, turn on the device and spray the solvent or water on a container or cloth.

- Turn off the device and unplug it from the mains.

- Unscrew the container and empty it. Remove the suction tube with the nozzle joint.

- Unscrew the union nut and remove the air cap and nozzle. Clean the air cap, nozzle joint and nozzle with a brush and water or solvent. Do not clean the joints, the membrane, the openings of the nozzle or the air vents of the spray gun with pointed metal objects.

- Clean the outside of the spray gun with a cloth and solvent or water.

- Reassemble the parts.

9. DISPOSAL



Electric power tools, as well as their accessories and packaging, must each be able to follow an appropriate recycling pathway. Only for the countries of the European Union:

Do not throw away your electrical appliance with the household waste! In accordance with the European Directive 2012/19/EU on waste electrical and electronic equipment and its implementation in national laws, power tools that can no longer be used must be separated and follow an appropriate recycling pathway.

10. DECLARATION OF CONFORMITY



BUILDER SAS

ZI, 32 rue Aristide Bergès- 31270 Cugnaux-France

Tel: + 33 (0) 5.34.502.502 Fax: + 33 (0) 5.34.502.50

Declares that the machinery designated below:

PAINT SPRAYER

RACSP450

Serial number: 20211036623-20211039922

Complies with the provisions of the Directive « Machine » 2006/42/CE and national laws transposing it:

Also complies with the following European directives:

EMC DIRECTIVE 2014/30/UE

RoHS DIRECTIVE (EU)2015/863 amending 2011/65/EU

Also complies with European standards, with national standards and the following technical provisions:

EN 60745-1:2009/A11: 2010

EN 50580:2012+A1:2013

EN55014-1:2017; EN55014-2:2015

EN 61000-3-2:2014; EN 61000-3-3:2013

Responsible for the technical file: Mr. Olivier Patriarca

Done at Cugnaux, le 14/06/2021

A handwritten signature in black ink, appearing to read 'Philippe MARIE', with a stylized flourish at the end.

Philippe MARIE / PDG

11. WARRANTY



WARRANTY

The manufacturer guarantees the product against defects in material and workmanship for a period of 2 years from the date of the original purchase. The warranty only applies if the product is for household use. The warranty does not cover breakdowns due to normal wear and tear.

The manufacturer agrees to replace parts identified as defective by the designated distributor. The manufacturer does not accept responsibility for the replacement of the machine, in whole or in part, and/or ensuing damage.

The warranty does not cover breakdowns due to:

- insufficient maintenance.
- abnormal assembly, adjustment or operations of the product.
- parts subject to normal wear and tear.

The warranty does not extend to:

- shipping and packaging costs.
- using the tool for a purpose other than that for which it was designed.
- the use and maintenance of the machine done in a manner not described in the user manual.

Due to our policy of continuous product improvement, we reserve the right to alter or change specifications without notice. Consequently, the product may be different from the information contained therein, but a modification will be undertaken without notice if it is recognized as an improvement of the preceding characteristic.

READ THE MANUAL CAREFULLY BEFORE USING THE MACHINE.

When ordering spare parts, please indicate the part number or code, you can find this in the spare parts list in this manual. Keep the purchase receipt; without it, the warranty is invalid. To help you with your product, we invite you to contact us by phone or via our website:

- **+33 (0)9.70.75.30.30**
- **<https://services.swap-europe.com/contact>**

You must create a "ticket" via the web platform.

- Register or create your account.
- Indicate the reference of the tool.
- Choose the subject of your request.
- Describe your problem.
- Attach these files: invoice or sales receipt, photo of the identification plate (serial number), photo of the part you need (for example: pins on the transformer plug which are broken).



12. PRODUCT FAILURE

WHAT TO DO IF MY MACHINE BREAKS DOWN?

If you bought your product in a store:

a) Empty the fuel tank.

b) Make sure that your machine is complete with all accessories supplied, and clean! If this is not the case, the repairer will refuse the machine.

Go to the store with the complete machine and with the receipt or invoice.

If you bought your product on a website:

a) Empty the fuel tank.

b) Make sure that your machine is complete with all accessories supplied, and clean! If this is not the case, the repairer will refuse the machine.

c) Create a SWAP-Europe service ticket on the site: <https://services.swap-europe.com> When making the request on SWAP-Europe, you must attach the invoice and the photo of the nameplate (serial number).

d) Contact the repair station to make sure it is available before dropping off the machine.

Go to the repair station with the complete machine packed, accompanied by the purchase invoice and the station support sheet downloadable after the service request is completed on the SWAP-Europe site

For machines with engine failure from manufacturers BRIGGS & STRATTON, HONDA and RATO, please refer to the following instructions.

Repairs will be done by approved engine manufacturers of these manufacturers, see their site:

- <http://www.briggsandstratton.com/eu/fr>
- <http://www.honda-engines-eu.com/fr/service-network-page;jsessionid=5EE8456CF39CD572AA2AEEDFD290CDAE>
- <https://www.rato-europe.com/it/service-network>

Please keep your original packaging to allow for after-sales service returns or pack your machine with a similar cardboard box of the same dimensions.

For any question concerning our after-sales service you can make a request on our website <https://services.swap-europe.com>

Our hotline remains available at +33 (9) 70 75 30 30.



13. WARRANTY EXCLUSIONS

THE WARRANTY DOES NOT COVER:

- Start-up and setting up of the product.
- Damage resulting from normal wear and tear of the product.
- Damage resulting from improper use of the product.
- Damage resulting from assembly or start-up not in accordance with the user manual.
- Breakdowns related to carburetion beyond 90 days and fouling of carburetors.
- Periodic and standard maintenance events.
- Actions of modification and dismantling that directly void the warranty.
- Products whose original authentication marking (brand, serial number) has been degraded, altered or withdrawn.
- Replacement of consumables.
- The use of non-original parts.
- Breakage of parts following impacts or projections.
- Accessories breakdowns.
- Defects and their consequences linked to any external cause.
- Loss of components and loss due to insufficient screwing.
- Cutting components and any damage related to the loosening of parts.
- Overload or overheating.
- Poor power supply quality: faulty voltage, voltage error, etc.
- Damages resulting from the deprivation of enjoyment of the product during the time necessary for repairs and more generally the costs related to the immobilization of the product.
- The costs of a second opinion established by a third party following an estimate by a SWAP-Europe repair station
- The use of a product which would show a defect or a breakage which was not the subject of an immediate report and/or repair with the services of SWAP-Europe.
- Deterioration linked to transport and storage*.
- Launchers beyond 90 days.
- Oil, petrol, grease.
- Damages related to the use of non-compliant fuels or lubricants.

* In accordance with transport legislation, damage related to transport must be declared to carriers within 48 hours maximum after observation by registered letter with acknowledgement of receipt.

This document is a supplement to your notice, a non-exhaustive list.

Attention: all orders must be checked in the presence of the delivery person. In case of refusal by the delivery person, it you must simply refuse the delivery and notify your refusal.

Reminder: the reserves do not exclude the notification by registered letter with acknowledgement within 72 hours.

Information:

Thermal devices must be wintered each season (service available on the SWAP-Europe site). Batteries must be charged before being stored.